

**Peakmeter**

The level meter 1252DIG-N is a 207 x 41 x 141 mm table-top unit. It is featured by a two-channel plasma bargraph display.



Sliding scale: „digital“ scale (Sample)/  
„analog“ scale (Nordic – 5 ms of intergration time)

Digital
AES/EBU
X-former bal.
Sample/5 ms
dB FS/Nordic
Scale 127 mm

**TECHNICAL SPECIFICATIONS**

**General**

Supply voltage: 230 - 240/115 V 50/60 Hz  
 Fuse: 230 V AC 50 mA slow  
 110 V AC 100 mA slow  
 Weight: approx. 1000 g  
 Dimensions: 207 x 41 x 141 mm  
 Operating temperature range: +5° to +45° Celsius  
 Connectors: 1 XLR-input connector  
 1 XLR-output connector  
 1 cinch  
 1 OPTICAL Input/TOSLINK  
 european-type mains socket  
 Controls: sliding scale

**Peakmeter**

Scale length: 127 mm (5 inches)  
 Display segments: 201 segments/channel  
 Colour of display: orange

Scale mode 'digital'  
 Scale range: 0 dB to -60 dB  
 Brighter scale marks: -10, -15, -20, -30, -40, -50 dB  
 Headroom range: programmable in the range of -15 dB to -6 dB in steps of 1 dB

Measuring standard: sample  
 Fall back time: 1,5 s for 20 dB and 2,5 s for 40 dB

Scale mode 'Nordic'  
 Scale range: -42 dB to +12 dB  
 Overload range: +6 dB to +12 dB  
 Colour of display elements: to +6 dB orange, to +12 dB red  
 Measuring accuracy: ±0.5 dB in the range of -6 dB to +12 dB  
 ±1.0 dB in the range of -24 dB to -6 dB

Integration time: 5 ms  
 Fall back time: 1.7 s for 20 dB and 3.4 s for 40 dB

Overload display: 1 LED per channel  
 Overload detector range: fullscale, fullscale-1, fullscale-2, -0,1 dB, -0,2 dB, -0,5 dB, -1 dB, -2 dB, -3 dB, -4 dB, -5 dB, -6 dB, -7 dB, -8dB, -9 dB, -10 dB  
 programmable:  
 Overload response characteristic, programmable: 1 to 15 samples (0 = Overload off)  
 Sampling frequency: 27 kHz to 55 kHz  
 DC/HP filter: off settable per internal DIP-Switch  
 Threshold frequency: 5 Hz

**In- and Outputs**

Signal inputs: AES/EBU digital format, transformer balanced 110 Ω, (programmable: with/without termination)  
 SPDIF digital format, unbalanced, 75 Ω  
 OPTICAL/SPDIF

Signal outputs: looped digital input signal, transformer balanced, 110 Ω

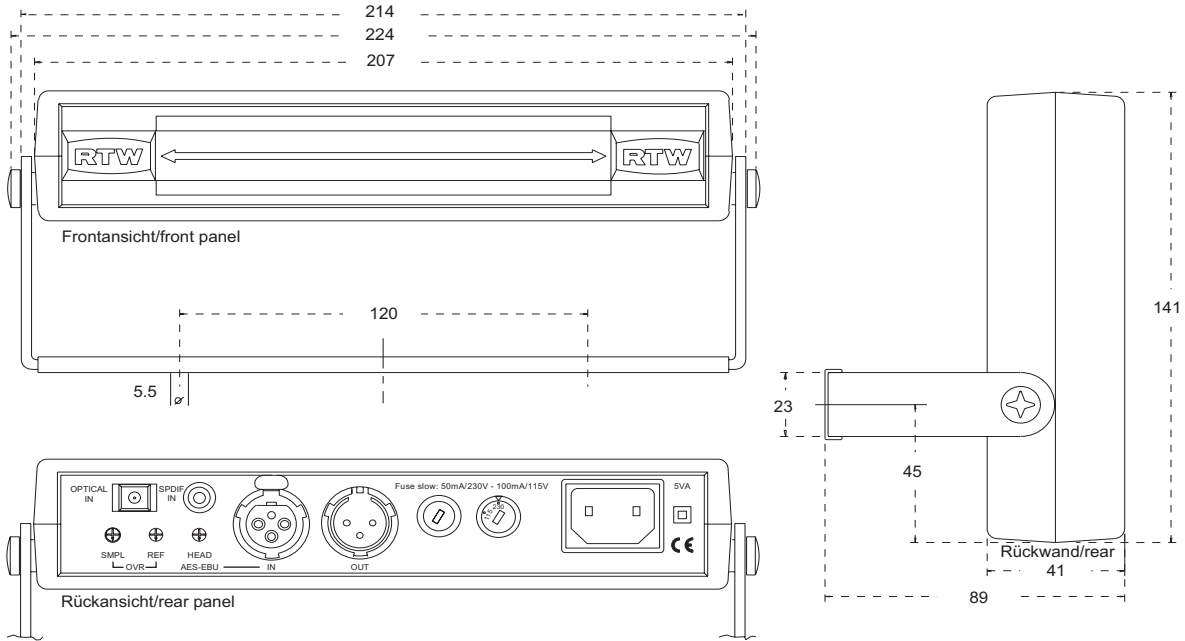
**Items delivered**

- Peakmeter 1252DIG-N:
- mains power cord
  - operating manual

**Order number: 1252DIG-N**

## DIMENSIONS

## PEAKMETER 1252DIG-N



Abmessungen in Millimeter; Darstellung reduziert. Skalen variieren je nach Gerätetyp  
Dimensions in mm. Size reduced. Scales vary dependina on tvoe.

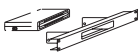
## CONNECTION

AES/EBU input:	XLR-f	pin1 = case pin 2 = AES/EBU in (+) pin 3 = AES/EBU in (-)
Digital output:	XLR-m	pin1 = case pin 2 = AES/EBU out (+) pin 3 = AES/EBU out (-)
SPDIF input:	cinch	center pin = SPDIF in
OPTICAL-input:	TOSHIBA-Toslink	
Power supply input:	IEC320/C18	

## COLOURS

RAL 9011 Graphite black

## ACCESSORIES



19"-1 unit height  
mounting panel  
Order no. 12991



19"-1 unit height  
mounting panel  
Order no. 12992



19"-1 unit height  
mounting panel  
Order no. 12961

Subject to technical changes without prior notice 04/2004