

## GENERAL DESCRIPTION

### DCF Receiver

The receiver 1176 in conjunction with the Timer 1180DCF can be used for precise time display of the time information transmitted by the "Physikalisch-Technische Bundesanstalt (PTB)". The receiver is suited in a grey/white polystyrol case.

## TECHNICAL DATA DCF RECEIVER 1176



XLR-connector not included

## TECHNICAL SPECIFICATIONS

### General

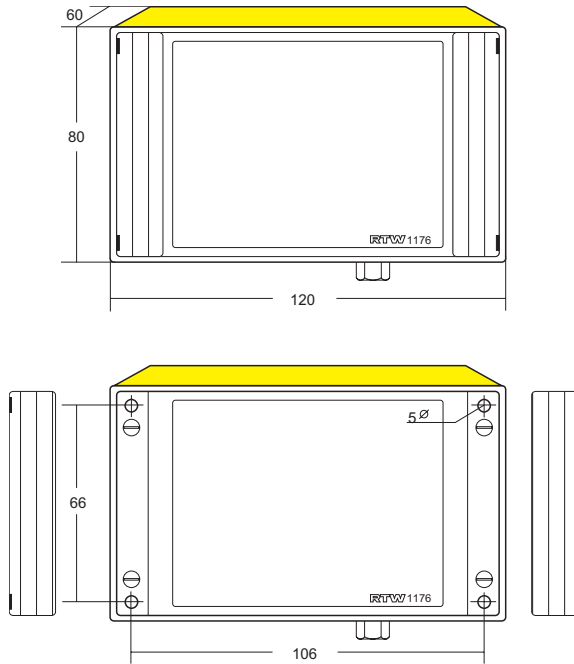
Weight: 240 g  
Dimensions: 120 x 80 x 60 mm  
Supply voltage: 12 V  
Current drain: 10 mA  
Connector: 4-pin terminal connector  
Cable length: tested up to 400 m

### Interface

DCF signal out  
+12 V in  
Gnd

### Items delivered

Receiver 1176: • operating manual  
**Order number: 1176**

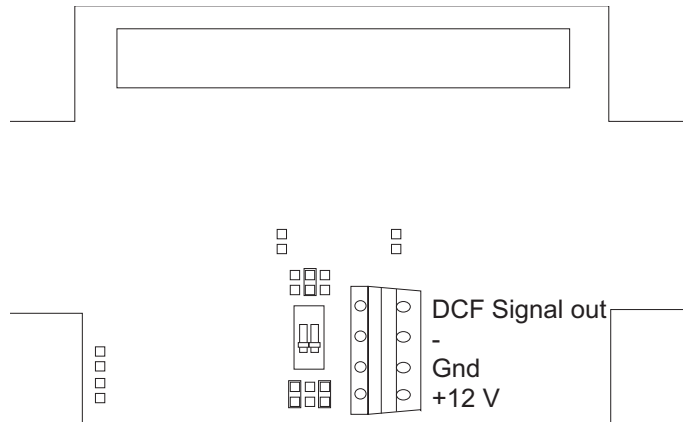


**CONNECTION**

The receiver is connected using a three pin terminal inside the frame.

The receiver can be connected to the timer 1180DCF using a:

- XLR connector (not included), when the timer 1180DCF is operated with instrument case 1023E or with power pack and bracket 1127H,
- 64-pin connector (not included), when timer 1180DCF is operated with its counter plug.



**COLOURS**

RAL 9002 Grey white

**ACCESSORIES**



Timer 1180 DCF  
Order no.: 1180DCF

Subject to technical changes without prior notice 02/96